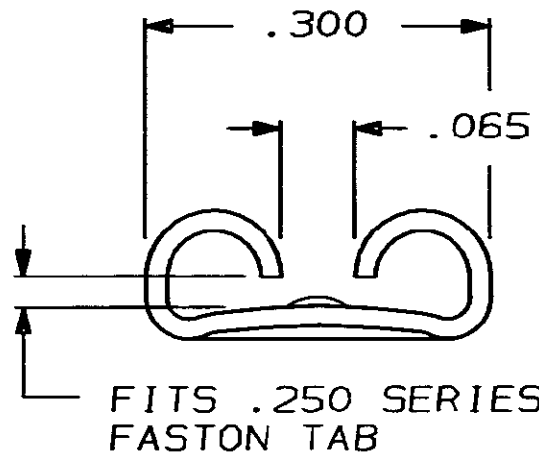
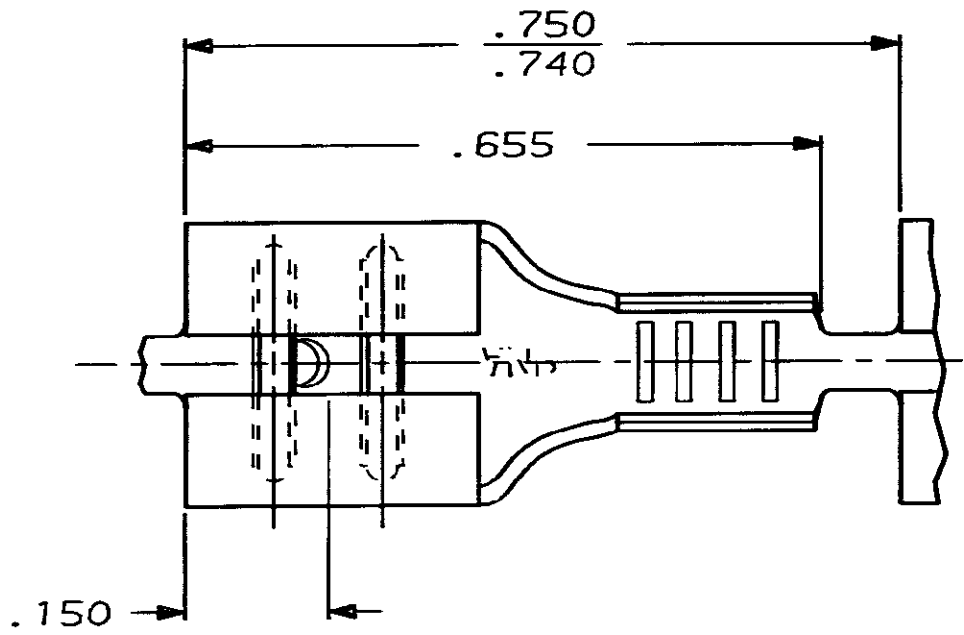
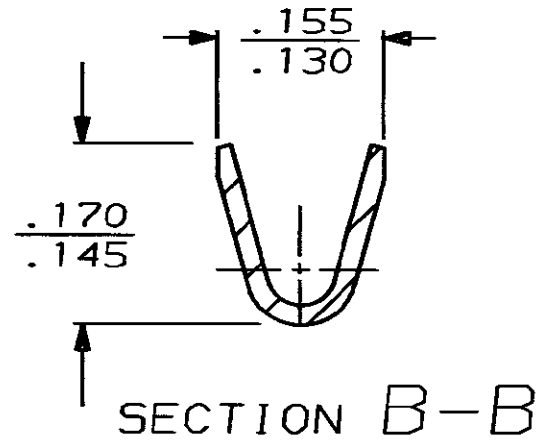


THIS DRAWING IS UNPUBLISHED. RELEASED FOR PUBLICATION, 19
 © COPYRIGHT 1965 BY AMP INCORPORATED, HARRISBURG, PA. ALL INTERNATIONAL RIGHTS RESERVED. AMP PRODUCTS MAY BE COVERED BY U.S. AND FOREIGN PATENTS AND/OR PATENTS PENDING.

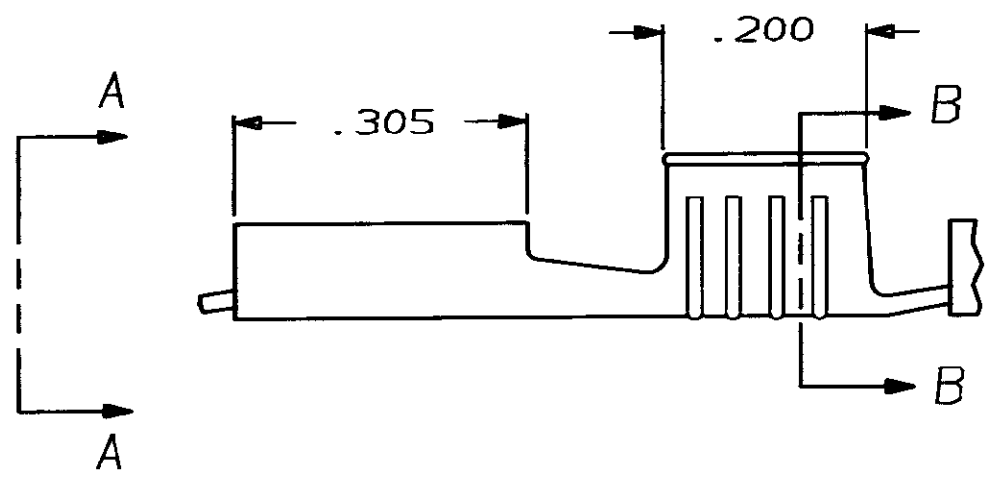
LOC	DIST	P	F	ZONE	LTR	DESCRIPTION	DATE	APPROVED
AF	50				T	REVISED AF-6391	11/28/89	JR/CM



FITS .250 SERIES FASTON TAB
 VIEW A-A



SECTION B-B



UNLESS OTHERWISE SPECIFIED DIMENSIONS ARE IN INCHES TOLERANCES ON: 2 PL DEC ± - 3 PL DEC ± .015 ANGLES ± -	DR	5/28/86
	CHK	JR RUTH
	APPD	5/30/86
	APPD	6/2/86
MATERIAL	.018 BRASS TEMPER 4M	
FINISH	TIN	
	PRODUCT SPEC	
	APPLICATION SPEC	
	WEIGHT	

18-14	.032 ±.001	41194
WIRE SIZE	TAB THK.	PART NO
AMP AMP INCORPORATED Harrisburg, Pa. 17105		
NAME .250 SERIES FASTON RECEPTACLE		
SIZE B	FSCM NO 00779	DRAWING NO 41194
SCALE 5:1	SHEET 1 OF 1	